

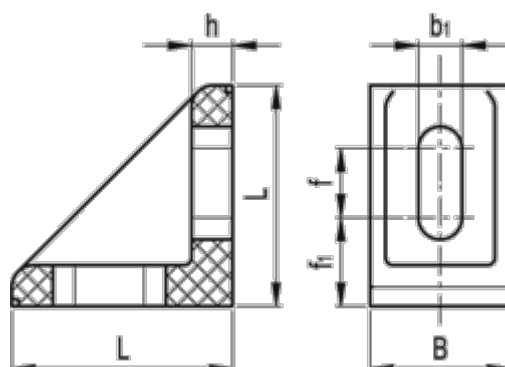
Data Sheet



Article number: 2310156131

Description: Connection angle 156131
SQT.43-43-A-8

Measures



B = 43.0

b1 = 8.5

f = 13

f1 = 17.0

h = 8

L = 43

Weight (g) = 32